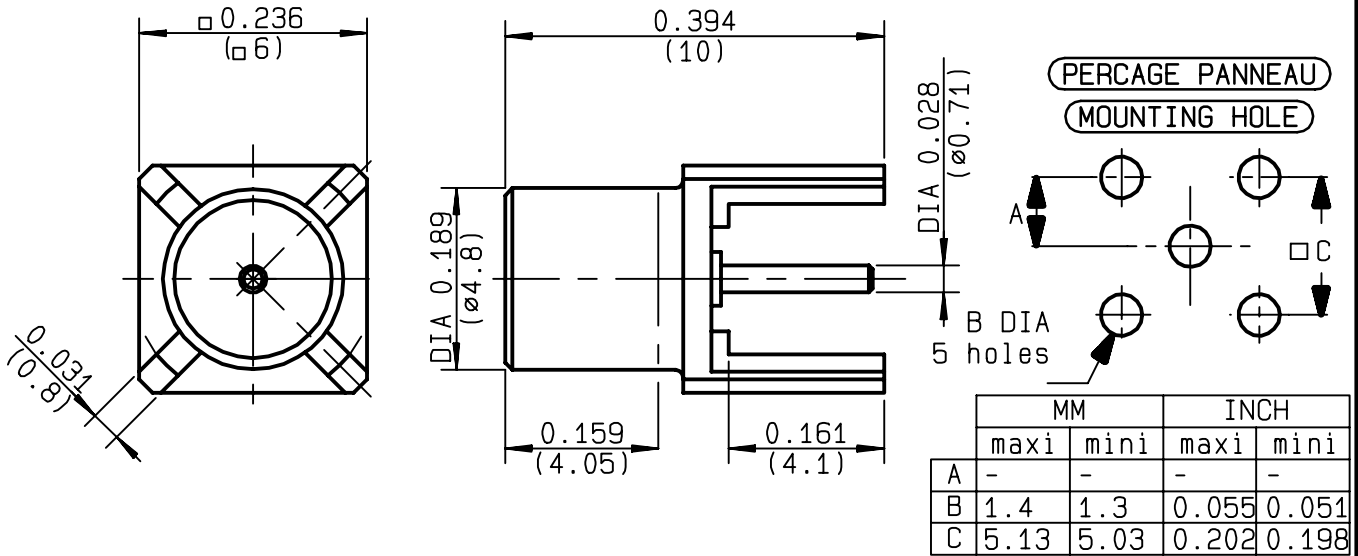


**STRAIGHT JACK RECEPTACLE FOR PCB  
SOLDER LEGS - STICK OF 75**

**R213.426.850**  
**SERIES MCX 75**



NOMINAL IMPEDANCE	<b>75</b> Ω
FREQUENCY RANGE	<b>0-6</b> GHz
TEMPERATURE RATING	<b>-55/+155</b> °C
V.S.W.R	<b>1.05*</b> + <b>.02</b> x F(GHz)Maxi
RF INSERTION LOSS	<b>0.03*</b> √F(GHz) dB Maxi
VOLTAGE RATING	<b>335</b> Veff Maxi
DIELECTRIC WITHSTANDING VOLTAGE	<b>1000</b> Veff Mini
INSULATION RESISTANCE	<b>1000</b> MΩMini
HERMETIC SEAL	<b>NA</b> Atm.cm <sup>3</sup> /s
LEAKAGE (pressurized only)	<b>NA</b>
MECHANICAL DURABILITY	<b>500</b> Cycles
WEIGHT	gr
SPECIFICATION	

CABLES :

OTHERS CHARACTERISTICS

**\* COAXIAL TRANSMISSION LINE ONLY**

CABLE RETENTION	<b>NA</b>	N Mini
CENTER CONTACT RETENTION		
Axial force - mating end	<b>10</b>	N Mini
Axial force - opposite end	<b>10</b>	N Mini
Torque	<b>NA</b>	cm.N Mini
RECOMMENDED TORQUES		
Mating	<b>NA</b>	cm.N
Panel nut	<b>NA</b>	cm.N
Clamp nut	<b>NA</b>	cm.N

CONNECTOR PARTS	MATERIALS	FINISH	(all values are given in micrometers)
BODY	BRASS	GOLD 0.2 OVER NICKEL 2	
OUTER CONTACT			
CENTER CONTACT	BERYLLIUM COPPER	GOLD 1.3 OVER NICKEL 2	
INSULATOR	POLYETHERIMID Resin	-	
GASKET		-	
OTHERS PIECES			

ISSUE	CREATION DATE	FILE PART-NUMBER
<b>9916A00</b>	<b>15/03/0099</b>	<b>99-1000-004</b>



ZANETTE

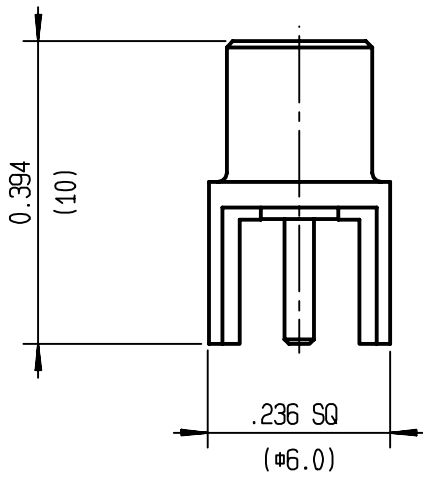
The information given here is subject to change without notice.  
Design changes may be in order to improve the product .

*Connect to the future*

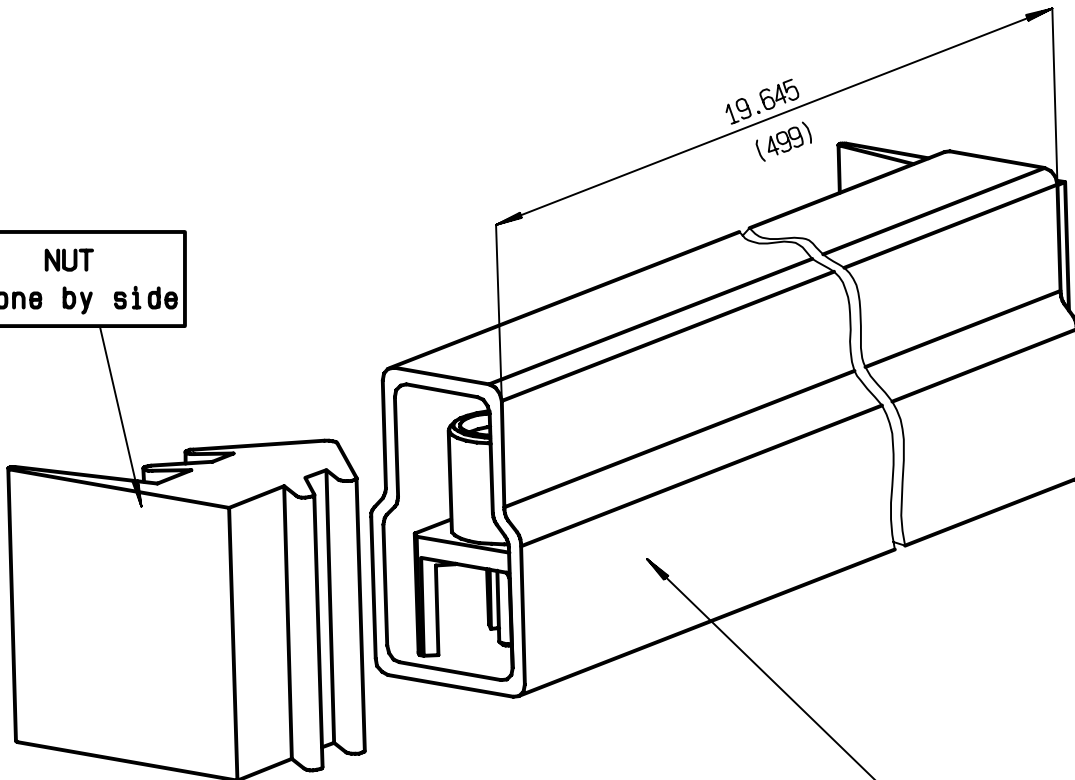


**R213.426.850**

ISSUE **9916A00** SERIES  
**MCX 75**



**NUT**  
one by side



**STICK CONDUCTOR PVC**